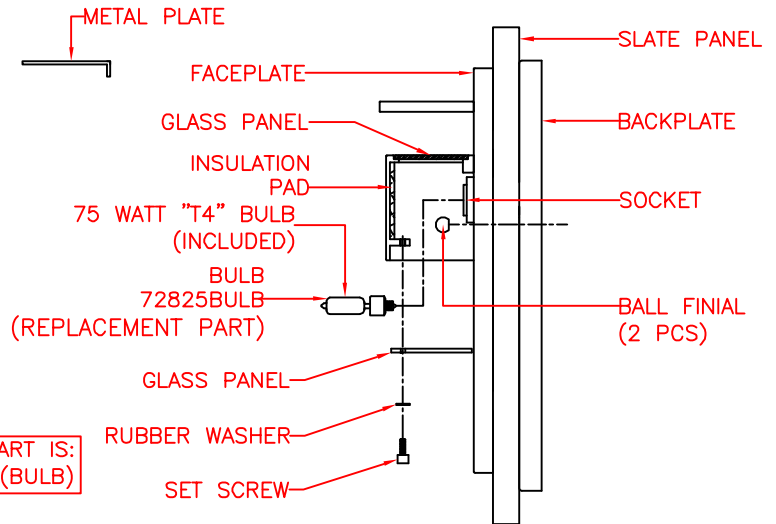


**FRONT VIEW**



**SIDE VIEW**

AVAILABLE PART IS:  
72825BULB (BULB)

**PRODUCT SPECIFICATIONS**

**OVERALL ASSEMBLED DIMENSIONS**

HEIGHT: 60 CM (23-5/8"), WIDTH: 25.4 CM (10"), EXTENSION: 18 CM (7").

**1 LIGHT:** UL LISTED. 75 WATT. E11 MINICAN BASE CERAMIC SOCKET. HALOGEN BULB IS INCLUDED.

**BACKPLATE:** PAINTED ALUMINUM, 50.2 CM (19-3/4") LENGTH x 17.5 CM (7") WIDTH x 2 CM (3/4") HEIGHT. (2) HOLES IN BACKPLATE FOR MOUNTING SCREWS TO PASS THROUGH. SHAPED AS SHOWN.

**SLATE PANEL:** NATURAL WHITE SLATE, 60 CM (23-5/8") LENGTH x 25.4 CM (10") WIDTH x 2 CM (3/4") HEIGHT. (2) HOLES IN SLATE PANEL FOR MOUNTING SCREWS TO PASS THROUGH. SHAPED AS SHOWN.

**FACEPLATE:** PAINTED ALUMINUM, 49 CM (19-1/4") LENGTH x 13.5 CM (5-1/2") WIDTH x 2.8 CM (") HEIGHT. (2) HOLES IN FACEPLATE FOR MOUNTING SCREWS TO PASS THROUGH. SHAPED AS SHOWN.

**GLASS PANEL:** ETCHED GLASS, 18.5 CM (7-1/4") LENGTH x 10.3 CM (4") WIDTH x 3.0 MM THICKNESS.

**SUPPLY WIRE:** UL LISTED. 18 AWG, 200°C, MUST EXTEND A MINIMUM OF 15.2 (6") PAST CENTER OF BACKPLATE. WIRES MUST BE LEAD FREE.

**LABELS:** UL AND CSA OR CUL, MANUFACTURING DATE, MODEL # AND COUNTRY OF ORIGIN LABELS PROVIDED INSIDE BACKPLATE. RELAMPING LABEL FOR 75 WATT MAX. TYPE "T4" BULB PROVIDED NEAR SOCKET.

**PACKAGING AND SHIPPING**

THE ITEM IS ASSEMBLED FOR SHIPPING. THE FIXTURE IS SECURED SO THEY CAN NOT MOVE DURING SHIPPING.

HARDWARE PACK #005 PROVIDED. ENTIRE FIXTURE IS COVERED IN A CLOSED PLASTIC BAG WITH A SMALL BAG OF SILICA INSIDE.

THE CARTON IS MADE OF DOUBLE WALL, CORRUGATED CARDBOARD "A MA A". BROWN IN COLOR. THE INNER PACKING IS DIE-CUT CARDBOARD OR STYROFOAM TO PROTECT AND SECURE THE LANTERN AND MUST PASS THE FEDEX DROP TEST REQUIREMENTS.

EACH CARTON SHALL BE PRINTED WITH A LINE DRAWING AND THE KENROY HOME NAME AND LOGO, MODEL NUMBER, SKU NUMBER AND FINISH, EACH CARTON SHALL BE PROVIDED A UPC LABEL. THE UPC BAR CODE AS FOLLOWS:  
WHSL=053392102715.

**OTHER DETAILS:**

ENTIRE BACKPLATE ASSEMBLY MUST SIT FLUSH AGAINST WALL SURFACE.

ALL VISIBLE PARTS MUST MATCH FIXTURE FINISH UNLESS OTHERWISE SPECIFIED.

MODEL 70287WHSL INSTRUCTIONS ARE TO BE PRINTED CLEARLY ON QUALITY PAPER AND PACKED WITH EACH FIXTURE.

ALL BAGS MUST BE LABELED WITH OFFICIAL "THIS BAG IS NOT A TOY" STATEMENT.

THIS ITEM MUST BE UL APPROVED FOR WET LOCATION. THE UL NUMBER IS E174362.

DIMS OF BOX: 75 CM (29-1/2") LENGTH x 34 CM (13-3/8") WIDTH x 24.5 CM (9-5/8") HEIGHT.

ASSEMBLY TIME: 15 MINUTES.

<b>KENROY HOME</b> 11660 CENTRAL PARKWAY JACKSONVILLE, FL. 32224 PHONE: 904-642-4340 FAX: 904-642-4150	THIS DOCUMENT AND THE INFORMATION THAT IT DISCLOSES IS THE EXCLUSIVE PROPERTY OF KENROY HOME. ANY REPRODUCTION OR USE OF THIS DRAWING IN PART OR IN WHOLE, WITHOUT THE EXPRESS CONSENT OF THE PROPRIETOR IS PROHIBITED. © 2009 KENROY HOME.			REVISION DATE:	MODEL #: <b>70287</b>
	DATE: 3/7/2009	SCALE: NONE	DRAWN BY: JAMES	REVISION DATE:	
	REFERENCE: PEMBROOKE 1LT EXTRA LARGE WALL LANTERN			REVISION DATE:	FINISH: <b>WHSL</b>
				APPROVAL:	PAGE: 1 OF 1